

Welcome to the AccessibilityOnline Webinar Series



A collaborative program between the
ADA National Network and the
U.S. Access Board



The Session is Scheduled to begin at 2:30pm Eastern Time
We will be testing sound quality periodically

Audio and Visual are provided through the on-line webinar system. This session is closed captioned. Individuals may also listen via telephone by dialing 1-712-432-3100 code 930098 (This is **not** a Toll Free number)

The content and materials of this training are property of the US Access Board and the Great Lakes ADA Center and cannot be used and/or distributed without permission. This program is funded through a contract agreement with the U.S. Access Board. For permission to use training content or obtain copies of materials used as part of this program please contact us by email at adata@adagreatlakes.org or toll free (877)232-1990 (V/TTY)

www.AccessibilityOnline.org



Listening to the Webinar



- ▶ The audio for today's webinar is being broadcast through your computer. Please make sure your speakers are turned on or your headphones are plugged in.
- ▶ You can control the audio broadcast via the Audio & Video panel. You can adjust the sound by "sliding" the sound bar left or right.
- ▶ If you are having sound quality problems check your audio controls by going through the Audio Wizard which is accessed by selecting the microphone icon on the Audio & Video panel



2



Listening to the Webinar, *continued*

If you do not have sound capabilities on your computer or prefer to listen by phone, dial:

1-712-432-3100

**Pass Code:
930098**

This is **not** a Toll Free number

3



Listening to the Webinar, *continued*

MOBILE Users (iPhone, iPad, or Android device and Kindle Fire HD)

Individuals may listen** to the session using the Blackboard Collaborate Mobile App (Available Free from the Apple Store, Google Play or Amazon)




**Closed Captioning is not visible via the Mobile App and limited accessibility for screen reader/Voiceover users

4



Captioning

- ▶ Real-time captioning is provided during this webinar.
- ▶ The caption screen can be accessed by choosing the  icon in the Audio & Video panel. ↓



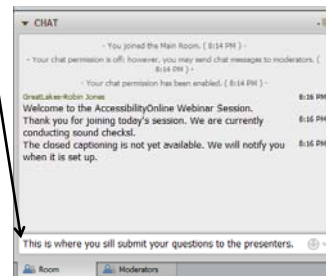
- ▶ Once selected you will have the option to resize the captioning window, change the font size and save the transcript.

5



Submitting Questions

- ▶ You may type and submit questions in the Chat Area Text Box or press **Control-M** and enter text in the Chat Area
- ▶ If you are connected via a mobile device you may submit questions in the chat area within the App
- ▶ If you are listening by phone and not logged in to the webinar, you may ask questions by emailing them to webinars@accessibilityonline.org



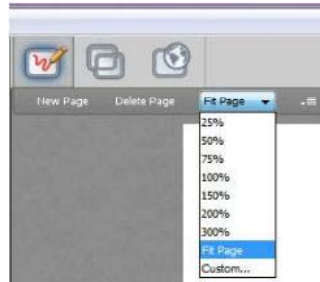
Please note: This webinar is being recorded and can be accessed on the AccessibilityOnline website at www.accessibilityonline.org/Archives within 24 hours after the conclusion of the session.

6



Customize Your View


- ▶ Resize the Whiteboard where the Presentation slides are shown to make it smaller or larger by choosing from the drop down menu located above and to the left of the whiteboard. The default is “fit page”



7



Customize Your View *continued*

- ▶ Resize/Reposition the Chat, Participant and Audio & Video panels by “detaching” and using your mouse to reposition or “stretch/shrink”. Each panel may be detached using the  icon in the upper right corner of each panel.

8



Technical Assistance



- ▶ If you experience any technical difficulties during the webinar:
 1. Send a private chat message to the host by double clicking “Great Lakes ADA” in the participant list. A tab titled “Great Lakes ADA” will appear in the chat panel. Type your comment in the text box and “enter” (Keyboard - F6, Arrow up or down to locate “Great Lakes ADA” and select to send a message); or
 2. Email webinars@accessibilityonline.org ; or
 3. Call 877-232-1990 (V/TTY)

9



FINAL RULE

(published September 26, 2013)

Architectural Barriers Act Accessibility Standards; Outdoor Developed Areas

Presenters



Peggy Greenwell



Bill Botten

11

Session Agenda

- Background
- Effective date and covered facilities
- Review of provisions
 - Trails
 - Camping Facilities
 - Picnic Facilities
 - Beach Access Routes
 - Viewing Areas

12

Rulemaking History

September
1999

- Final Report from the Outdoor Developed Areas Regulatory Negotiation Committee completed

June 2007

- Proposed guidelines published for Federal outdoor developed areas under the Architectural Barriers Act (ABA)

September 26,
2013

- Board publishes final guidelines for federal outdoor developed areas

November 26,
2013

- Requirements for Federal agencies become mandatory as part of the Architectural Barriers Act (ABA) Standards

13

What's covered

- Facilities constructed or altered by
 - Federal agencies
 - Non-federal entities constructing facilities on federal land on behalf of federal agencies pursuant to a concession contract, partnership agreement, or similar arrangement

What's not covered

- ADA – Title II entities - State and local governments, Title III entities, places of public accommodation
- ABA – facilities built or altered with Federal grants and loans (ABA)

14

Application Questions

- Why do the new standards for trails, picnic and camping facilities, viewing areas, and beach access routes only apply under the ABA?
- Does this rule apply to projects that are not on federal lands or owned/ran by the Federal Government, but have federal grant or funding being used to construct and/or alter the site?

15

Application Questions

- What about a long distance trail that traverses land owned by many different states and Federal entities?
- Will rulemaking occur regarding sites funded by federal monies? Title II and III of the ADA? When?
- How do these new standards under the ABA related to the Forest Service Accessibility Guidelines?

16

Options for those not covered

- **ADA** - where no standard exist...
 - general non-discrimination prohibition and program accessibility requirements for state and local governments apply (includes TRAILS, PICNIC AND CAMPING ELEMENTS, VIEWING AREAS)
- To determine appropriateness of using outdoor recreation access routes and beach access routes (in lieu of an accessible route) – contact DOJ – 800 514-0301

17

Future plans

- Complete rulemaking under the ADA using the final ABA standards as the basis
- Complete technical assistance guide on final ABA standards
- Provide technical assistance and training on the provisions

18

Effective Date

November 25, 2013

Newly constructed or altered
elements covered by this rule

19

Format and organization

- ABA Chapter 2:
Scoping Requirements
- F244 Camping Facilities
- F245 Picnic Facilities
- F246 Viewing Areas
- F247 Trails
- F248 Beach Access Routes

20

Format and organization

Chapter 10: Recreation Facilities

- 1011 Outdoor Constructed Features
- 1012 Parking Spaces within Accessible
Camping Units and Picnic Units
- 1013 Tent Pads and Tent Platforms
- 1014 Camp Shelters
- 1015 Viewing Areas
- 1016 Outdoor Recreation Access Routes
- 1017 Trails
- 1018 Beach Access Routes
- 1019 Conditions for Exceptions

21

Trails

Trails

- Pedestrian route developed primarily for outdoor recreational purposes
- Newly constructed/alterd trail directly connected to a trailhead or another trail that substantially complies with guidelines
- Conditional exceptions permitted – new and altered
- Shared use paths addressed in separate rulemaking for public rights of way

23

Conditional exceptions

- Apply on a provision-by-provision basis
- Where full compliance with a technical provision is not possible because of the limitations and constraints included in the conditional exceptions...
- “extent practicable”

24

Entire trail exemption

- When applying conditional exceptions to portions of the trail results in exempting the entire trail or beach access route from the technical provisions...
- Notify the Board where an entire trail or beach access route is exempted

ENTIRE TRAIL EXEMPTION FORM (1017.2 EXEMPTION 2)

This form can be used to notify the U.S. Access Board when a Public Agency determines in accordance with 1017.2 paragraph 2 that it is impracticable for an entity to comply with the technical requirements in 1017.2. Federal agencies are encouraged to seek technical assistance from the Access Board when considering completing an entire trail.

Name of Trail: _____ Check all that apply

Location (City, State, County, etc.): _____ Federal Department of Public Works

Completely disabled or essentially not compliant with all technical requirements in 1017 without any exceptions

New Construction

Alteration

Length of Trail: _____ Alteration

The U.S. Access Board accepts these conditions as a basis for determining in accordance with 1017.2 Exemption 2 that it is impracticable for an entity to comply with the technical requirements in 1017.

Check the box beside conditions that apply to the trail.

Distribution of crossing steps and cross steps exceeds 40 percent for over 20 feet

Trail exceeds 30 inches high or otherwise causes the trail to not comply with 1017.2

Trail width is less than 12 inches wide for a distance of 20 feet or more

Trail width is less than 12 inches wide for a distance of 20 feet or more

If present on one of the trail does not fully comply with the technical requirements in 1017

Any additional conditions that render it impracticable for a trail to comply with the technical requirements in 1017 should be described below with additional information.

Additional Information: _____

Alternative Condition: _____

Name: _____ Agency: _____

Position: _____ Contact Information: _____

Site Name: _____ Date: _____

U.S. Access Board, 1331 F Street, NW, Suite 1000, Washington, DC 20004-1111
800-872-2253 or 202-272-4862 (TDD)
www.access-board.gov

25

Conditional exceptions

- Compliance is not practicable due to terrain
- Compliance cannot be accomplished with the prevailing construction practices



26

Conditional exceptions

- Compliance would fundamentally alter the function or purpose of the facility or the setting
- Compliance is precluded by the:
 - Endangered Species Act;
 - National Environmental Policy Act;
 - National Historic Preservation Act;
 - Wilderness Act; or
 - Other Federal, State, or local laws



27

Permissible Uses of Conditions for Exceptions

Exception Permitted for:	Application
Outdoor Constructed Features - clear ground space	Alterations Only
Tent Pads/Tent Platforms - any provision	New Construction or Alterations
Camp Shelters any provision	New Construction or Alterations
Outdoor Recreation Access Routes at Camping facilities, Picnic facilities, and Trailheads - any provision	Alterations Only
Viewing Areas - any provision	Alterations Only
Outdoor Recreation Access Routes to Viewing Areas -- any provision	New Construction or Alterations
Trails - any provision	New Construction or Alterations
Beach Access routes - any provision	New Construction or Alterations

28

Trailheads

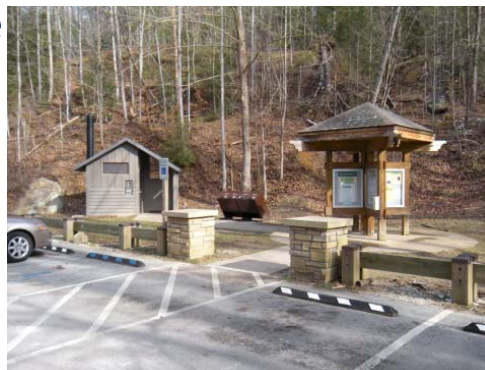
- Outdoor space developed to serve as an access point to a trail
 - Not a junction of two or more trails where no other access point is provided
- 20% of each type of outdoor constructed feature provided within trailhead to be accessible



29

Trailheads

- At least one outdoor recreation access route to connect to parking, site arrival point, the starting point of trail, accessible elements, spaces, and facilities within trailhead
- Conditional exceptions permitted for ORAR in alterations



30

Trail signs

- New trail information signs provided at trailheads on newly constructed or altered trails
- Required information
 - length of the trail or trail segment
 - surface type
 - tread width (typical/minimum)
 - running and cross slope (typical/maximum)



31

Trails

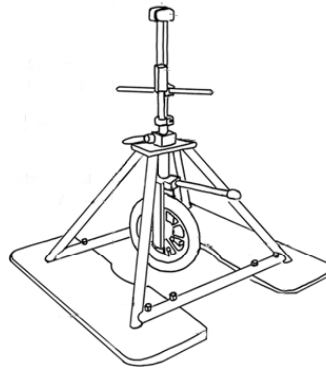
- 36 inches minimum width
- Passing spaces – every 1,000 feet where less than 60 inches in width
- Tread obstacles – 2 inches maximum, except concrete, asphalt, or board = ½ inch
- Openings – ½ inch maximum



32

Trails

– Surface – firm and stable



33

Trail Slope/Grade

Running Slope of Trail Segment		Maximum Length of Segment
Steeper than	But not Steeper than	
1:20 (5%)	1:12 (8.33%)	200 feet (61 m)
1:12 (8.33%)	1:10 (10%)	30 feet (9 m)
1:10 (10%)	1:8 (12%)	10 feet (3050 mm)

34

Trails

- Cross slope – 1:20 max, except concrete, asphalt, or boards = 1:48
- Resting intervals – 60 in. long, alongside trail - turning space, slope 1:20 max, except concrete, asphalt, or boards = 1:48
- Gates and barriers – clear width, gate hardware



35

Protruding Objects

- Compliance with 307
- Only applies to constructed elements on trails, resting intervals, and passing spaces



36

Outdoor Constructed Features

Outdoor constructed features



- Picnic tables
- Fire rings
- Grills
- Fireplaces and woodstoves
- Trash and recycling containers
- Water hydrants
- Utility and sewage hookups
- Outdoor rinsing showers
- Benches
- Viewing Scopes

38

Outdoor constructed features

- **Number required to be accessible** - camping facilities, picnic facilities; viewing areas, trailheads, and trails (not scoped at beaches)



39

Outdoor constructed features

- Clear ground space – exception where feature is altered, but surface is not OR where conditional exceptions permit departures in alterations
- Size and location – addressed in a table for each element
- Surface – firm and stable
- Surface slope – 1:20 except asphalt, concrete, or boards = 1:48 maximum
- Openings = ½ inch

40

Picnic tables

- One wheelchair space for each 24 linear feet of usable table surface, knee and toe clearance required at space (306)



41

Picnic tables

- Positioned for forward approach
- Knee and toe complying with 306
- 36 inches along all usable sides of the table



42

Fire rings, grills, fireplaces, and woodstoves

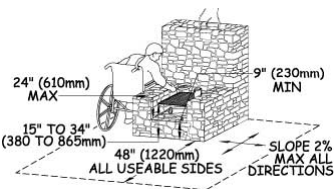
- fire building surface - 9 inches minimum above the clear ground space
- cooking surface – 15 inches minimum – 34 inches maximum above clear ground space.



43

Fire rings, grills, fireplaces, and woodstoves

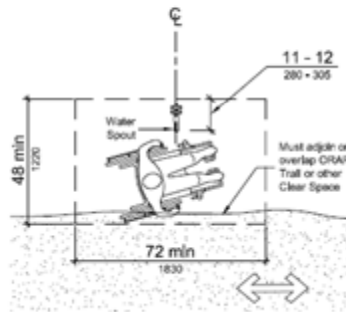
- Clear space - 48 inches by 48 inches on all usable sides
- Space centered on each usable side
- Raised edges/walls – depth 10 inches maximum
- Operable parts – must be in reach range, comply with requirement for grasping, twisting, pinching (309.4) to the extent practicable



44

Water hydrants

- 48 by 72 inches
- Located so that water spout is 11 in. min. and 12 in. max. from the rear center of the long side of the space
- Adjoining ORAR, trail, or another clear space



1011.2.1 Clear Ground Space
Water Hydrants

45

Water hydrants

- Water spouts – 28 inches min – 36 inches max.
- Operable parts – comply with reach ranges only
- Comply with requirement for tight grasp, twisting, or pinching with one hand (309.4) to the extent practicable



UNITED STATES ACCESS BOARD

46

Utility and sewage hookups

- 30 inches by 60 inches
- Locate space so that the hook-ups are at the rear center
- No bollards in the clear ground space



47

Outdoor rinsing showers

- 60 inches by 60 inches space centered on the shower heads
- Located with the shower pedestal at rear end of the space
- At least one handheld or fixed head = 48 inches minimum



48

Benches

- 36 inches by 48 inches space positioned near the bench
- One side of the space adjoining an ORAR or trail.
- Space may not overlap the ORAR or trail.
- *Provisions only apply in picnic and camping facilities, viewing areas, trailheads, and along trails.*



49

Trash and recycling containers

- Clear ground space
36 X 48 – forward
30 X 60 – parallel
(positioned to receptacle opening)
- Adjoin or connect to an ORAR, trail



UNITED STATES ACCESS BOARD

50

Trash and recycling containers

- Exception for hinged lid receptacles designed to keep out large animals (operation - 309.4)
- Dumpster type trash and recycling receptacles exempt from reach ranges or operable part provisions. (309.3 and 309.4)



UNITED STATES ACCESS BOARD

51

Picnic Facilities

Picnic facilities

Developed for outdoor recreational purposes that contains picnic units.



Picnic unit

Outdoor space in a picnic facility that contains outdoor constructed features



53

Picnic facilities

- At least 20% of picnic units in picnic facility where two or more picnic units are provided
- Two or fewer = each accessible



54

Picnic facilities

- 20% of outdoor constructed features in public and common use areas serving accessible picnic units
- Dispersion of accessible picnic units required
- ORAR connection



55

Camping Facilities

Camping facilities

- Camping facility – developed for outdoor recreational purposes that contains camping units.



57

Camping facilities

- Camping unit – outdoor space in a camping facility that contains outdoor constructed features, RV parking spaces, tent pads or tent platforms, or camp shelters.



58

Camping facilities

Total Number of Camping Units Provided in Camping Facility	Minimum Number of Accessible Camping Units Required
1	1
2 to 25	2
26 to 50	3
51 to 75	4
76 to 100	5
101 to 150	7
151 to 200	8
201 and over	8, plus 2 percent of the number over 200

59

Camping facilities

- Applies to each type of camping unit provided.
- Dispersion of accessible camping units required



60



61

Alterations or additions

- Where camping units are altered or added, requirements apply only units altered or added...
- Until the number of camping units with mobility features complies with the minimum number required in Table 244.2.



62

Outdoor constructed features

- Multiple features within accessible units; at least 2
- 20% of OCF's in public and common use areas serving accessible camping units
- ORAR connection



63

Camping facilities

- Parking spaces within accessible camping units
 - RV space – 20 feet wide minimum, exception - 16 feet where two adjacent spaces are provided
 - Other vehicles – 16 feet wide minimum
 - Surface – firm and stable
 - Slope - 1:20 maximum, except asphalt, concrete, or boards = 1:48



64

Camping facilities

- Tent pads and tent platforms
 - 48 inch space on all usable sides, exception where conditional exceptions apply
 - Surface – stable and firm
 - Slope – 1:20 maximum, except asphalt, concrete, or boards = 1:48
 - Tent platform – 19 inches maximum above surface



65

Camping facilities

Tent platforms/ camping shelters

- Floor height where elevated at entrance
 - 19 inches maximum above ground
- Where level entry or ramped entry is provided – turning space required



66

Camping facilities

- 36 inches minimum by 48 inches minimum space
- Surface – firm and stable
- Slope – 1:20 maximum, except asphalt, concrete, or boards = 1:48
- Conditional exceptions permitted in new and altered



67

Viewing Areas

Viewing areas

- Outdoor space developed for viewing a landscape or point of interest
- 20% of each type of outdoor constructed feature
- Clear ground space –
 - at each distinct viewing location
 - one full unobstructed side of space to adjoin or overlap an ORAR, trail, or another clear ground space



69

Viewing scopes

- Eyepieces located between 43 inches minimum and 51 inches maximum
- 36 inches by 48 inches positioned for forward approach.
- Eyepiece centered on the space.
- Knee and toe clearance complying with 306.
- Conditional exceptions permitted in alterations



70

Outdoor Recreation Access Routes

Outdoor recreation access route (ORAR)

- Modified accessible route
- Connects outdoor constructed features within picnic facilities/units, camping facilities/units, designated trailheads or viewing areas



UNITED STATES ACCESS BOARD

72

Outdoor recreation access routes

Connecting recreation facilities



Connecting common use and public use areas in picnic, camping, and viewing areas



73

Outdoor recreation access routes

- Where ORAR are provided within vehicular ways – exception for passing spaces, slope, and resting intervals



74

Outdoor recreation access routes

- Conditional exceptions permitted when altering existing ORAR



75

Outdoor recreation access routes

- Surface – firm and stable
- Clear width – 36 inches minimum
- Passing space – required where width is less than 60 inches - 200 ft. max
- Obstacles – 1 inch maximum, except concrete, asphalt, or boards = ½ inch
- Openings – ½ inch



76

Outdoor recreation access routes

Running Slope of Segment of Outdoor Recreation Access Route		Maximum Length of Segment
Steeper than	But not Steeper than	
1:20 (5%)	1:12 (8.33%)	50 feet (15 m)
1:12 (8.33%)	1:10 (10%)	30 feet (9 m)

77

Outdoor recreation access routes

- Cross slope – 1:20 maximum, except concrete, asphalt, or boards = 1:48
- Resting intervals – 60 inches in length minimum, adjacent to ORAR - turning space
- Protruding object provision applies to constructed elements



78

Beach Access Routes

Beach access routes

Where required –

The construction or alteration of any of the following facilities to serve the beach:

1. Circulation paths;
2. Parking facilities;
3. Toilet facilities; or
4. Bathing facilities

Exception limits the cost of the beach access route to no more than 20 percent of the cost of constructing or altering the facilities

80

F248.1.2 - Beach Nourishment

- Beach access routes required where the entity that administers or manages a beach undertakes a beach nourishment project.
- EXCEPTION: Not required to expend more than 20 percent of the costs of a beach nourishment project



UNITED STATES ACCESS BOARD

81

Beach access routes



- Permanent or removable
- Minimum number – at least one for each ½ mile of shoreline managed by the entity
 - Not required to exceed the number of pedestrian access points to a beach provided by the entity
- Conditional exceptions permitted – new and altered

Maximum running slope and segment length

Table 1018.7.1 Maximum Running Slope and Segment Length

Running Slope of Beach Access Route Segment		Maximum Length of Segment
Steeper than	But not Steeper than	
1:20 (5%)	1:12 (8.33%)	50 feet (15 m)
1:12 (8.33%)	1:10 (10%)	30 feet (9 m)

UNITED STATES ACCESS BOARD

83

Beach access routes

- Connections -
 - High tide level
 - Mean high water
 - Normal recreation pool
- Clear width - 60 inches minimum
- Surface - firm and stable
- Obstacles - 1 inch max, except concrete, asphalt, or boards = ½ inch



84

Dune crossings

- Where the slope of a beach access route at a dune crossing is steeper than 1:20 (5%)
 - Handrails complying with 505
 - Curbs or barriers to prevent passage of a 2 inch diameter sphere



UNITED STATES ACCESS BOARD

85

Questions?

**You may type and submit questions in the
Chat Area Text Box or press Control-M
and enter text in the Chat Area**

86

**Thank you for participating
in today's webinar**



Next session:

**December 5th - Section 508 Refresh - Using
WCAG 2.0 to Evaluate Document Accessibility**

www.accessibilityonline.org

(877) 232-1990 (v/TTY)

87

U.S. Access Board

(800) 872-2253 (voice)

(800) 993-2822 (TTY)

**E-mail: [outdoor@access-
board.gov](mailto:outdoor@access-board.gov)**

www.access-board.gov

88